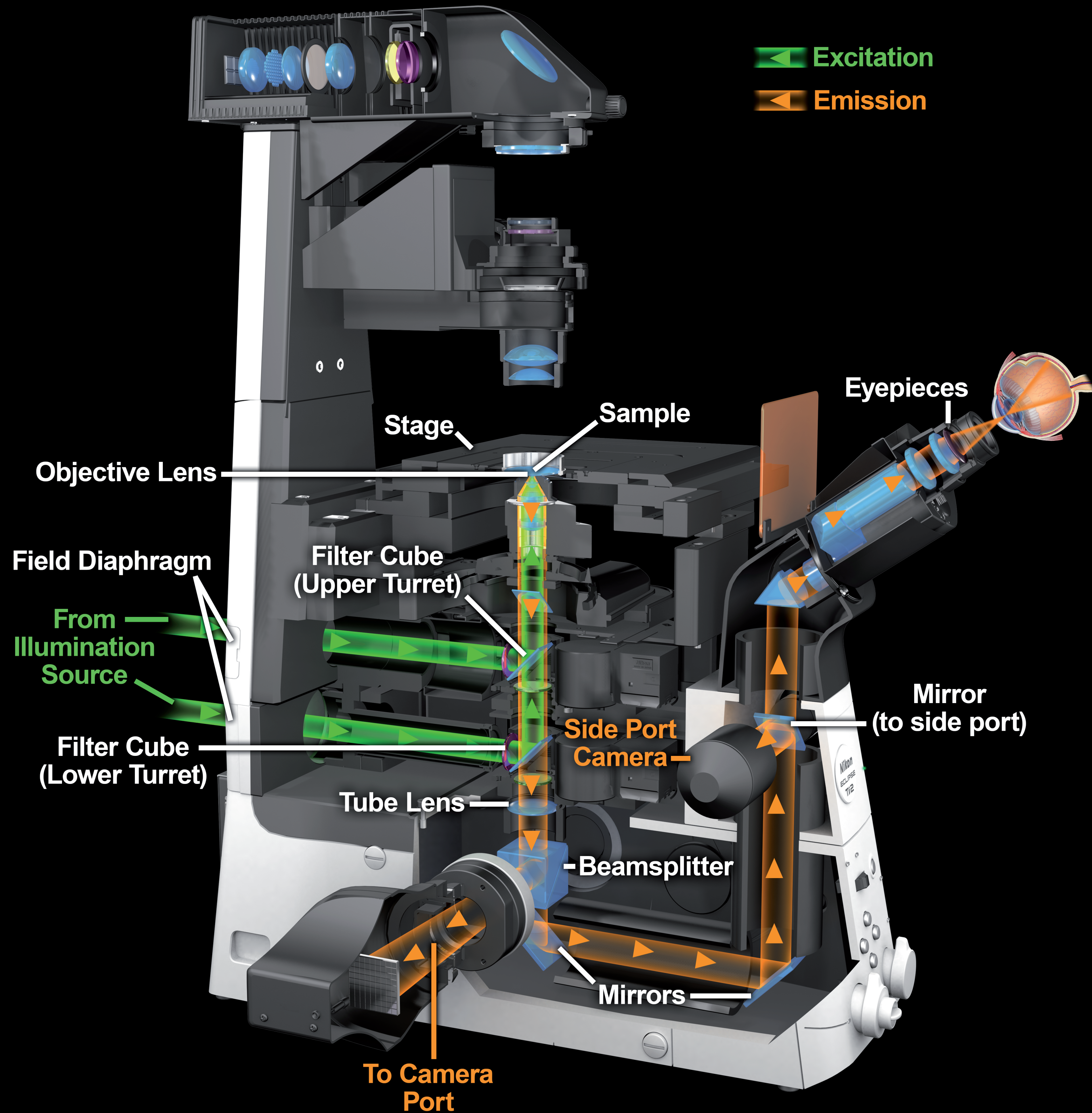
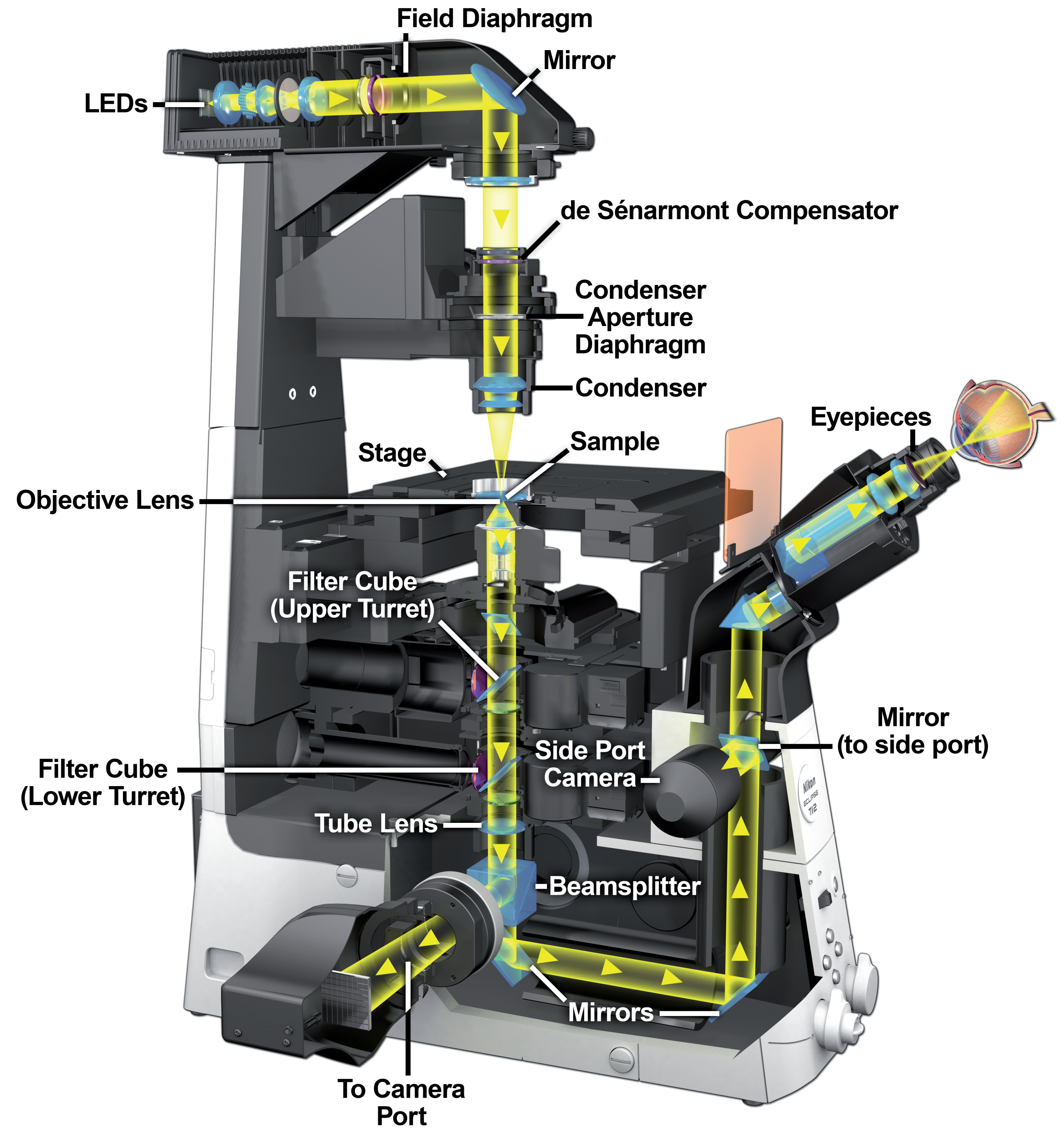




Epi-Fluorescence Light Path



Diascopic Light Path



Figures based on the Eclipse Ti2 Inverted Microscope.